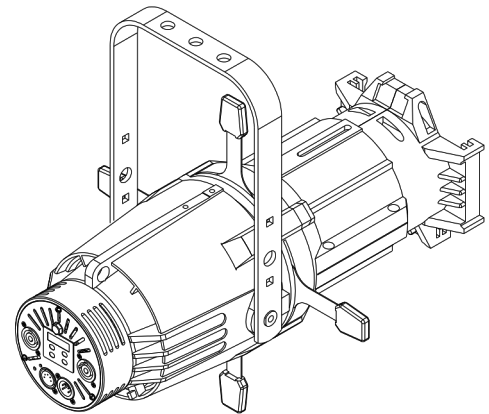
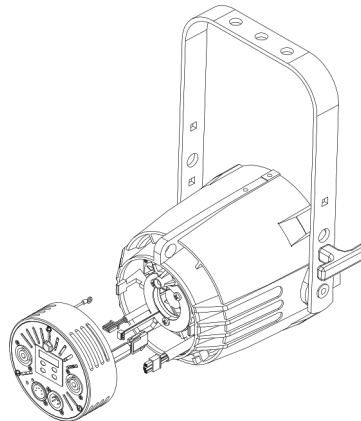
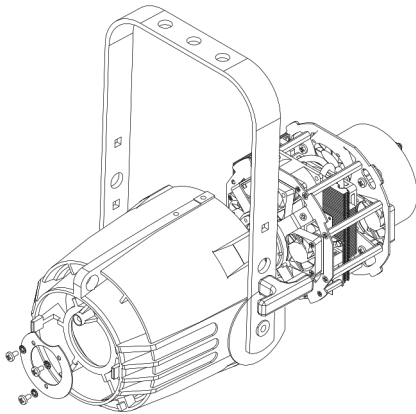
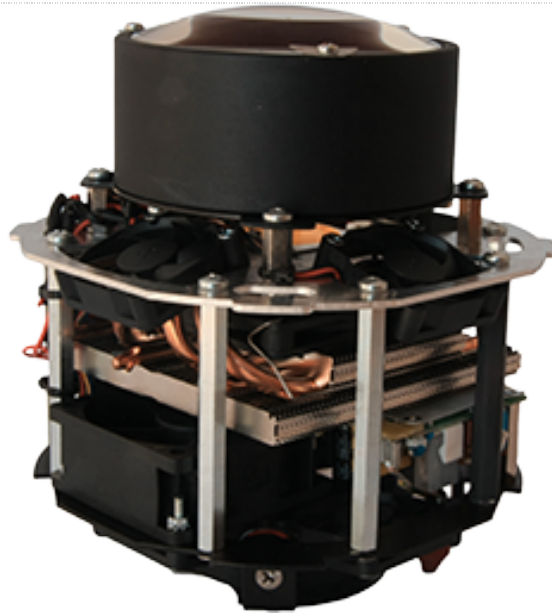


# HPLED

## white series

**Lites** s.r.l.  
*Simply LED to innovation*




### - - HPLED engine illustrations -

Revolutionary re-lamping HPLED engine supersedes conventional tungsten 575-750 HPL lamps for use in original S4 profile-luminaires. HPLED is propelled by high-power COB LEDs' and it is corroborated by an integral set of achromatic lenses laid in the optical system to enhance brightness thus offering consistency of light distribution across the illuminated surface and gives more light output versus traditional tungsten bulbs.

HPLED incorporates a display board to operate the fixture via DMX and or RDM Protocols. The rear section of the DMX/RDM HPLED T embeds functions to facilitate fixture operations, such as convenient IN/OUT 5-pin XLR and PowerCon connectors.

### Technical specifications

<i>Power Supply:</i> 100 – 240 V ~ 50/60Hz (single-phase) (100 -240V self-selection)
Maximum power consumption 170 W
Stand-by power consumption: 5 W
cos Ø 0,98
Minimum ambient temperature : -10°C
Maximum ambient temperature :35°C
<i>Available LED colour temperatures:</i> 2700°K; 3000°K; 4000°K; 5000°K; 5600°K (specify when ordering)
<i>Minimum CRI:</i> 90
<i>Double lens optics with multiple anti-reflection coatings</i>
<i>LED life 50000 Hrs</i> (see manufacturer ' s specifications)
<i>Protection grade:</i> IP20 (house HPLED in original ETC S4 only)
<i>Working position:</i> any
<i>Datum Protocols:</i> DMX 512, and\or RDM ready
<i>Power connectors:</i> Neutrik + In Out powerCon connectors
<i>Data connectors:</i> IN\OUT Neutrik XRL 5
<i>User interface:</i> 4-digit display and 4 buttons
<i>Manual operation:</i> operations via keys provided on the display
<i>Control of LED frequency:</i> S election of LED frequency refresh
<i>Fan control:</i> Fan speed adjustments
2 Dimming curves control: Selection of two dimming curves control
<i>Net wright:</i> 2,03 kg
<i>Packed weight:</i> 3 kg
<i>Pack volume:</i> 0,012 m <sup>3</sup>
Compliant to: 

### LED BXRC-30G10K0

#### Statistics rates measured with the use of 3000°K CRI 90 BXRC-30G10K- LED- Lantern in use for 30 minutes at 25°C ambience

##### Source4 Optics

	Distance m	4 m	6 m	8 m	10 m	12 m	14 m
Optics 19°	Lux	3.28 1	1.45 8	820	525	365	268
	Diameter ø m	1,33	2	2,67	3,34	4,01	4,68
	Distance m	4 m	6 m	8 m	10 m	12 m	14 m
Optics 26°	Lux	2.93 8	1.30 6	734	470	326	240
	Diameter ø m	1,84	2,77	3,69	4,61	5,54	6,46
	Distance m	4 m	6 m	8 m	10 m	12 m	14 m
Optics 36°	Lux	2.62 5	1.16 7	656	420	292	214
	Diameter ø m	2,59	3,89	5,19	4,61	7,79	9,09
	Distance m	4 m	6 m	8 m	10 m	12 m	14 m
Optics 50°	Lux	1.56 3	694	391	250	174	128
	Diameter ø m	3,73	5,59	7,46	9,32	11,1 9	13,0 5
	Distance m	4 m	6 m	8 m	10 m	12 m	14 m

### LED BXRC-56G10K0-L-24 CRI ≥90

#### Statistics rates measured with the use of 5600°K lantern in use for 30 minutes at 25°C ambience

##### Source4 Optics

	Distance m	4 m	6 m	8 m	10 m	12 m	14 m
Optics 19°	Lux	3.28 1	1.45 8	820	525	365	268
	Diameter ø m	1,33	2	2,67	3,34	4,01	4,68
	Distance m	4 m	6 m	8 m	10 m	12 m	14 m
Optics 26° 26°	Lux	2.93 8	1.30 6	734	470	326	240
	Diameter ø m	1,84	2,77	3,69	4,61	5,54	6,46
	Distance m	4 m	6 m	8 m	10 m	12 m	14 m
Optics 36°	Distance m	4 m	6 m	8 m	10 m	12 m	14 m

# HPLED

## white series

**Lites** s.r.l.  
*Simply LED to innovation*

	Lux	2.62 5	1.16 7	656	420	292	214
	Diameter $\varnothing$ m	2,59	3,89	5,19	4,61	7,79	9,09
Optica Angolo 50°	Distance m	4 m	6 m	8 m	10 m	12 m	14 m
	Lux	1.56 3	694	391	250	174	128
	Diameter $\varnothing$ m	3,73	5,59	7,46	9,32	11,1 9	13,0 5

(Model exemplification)

