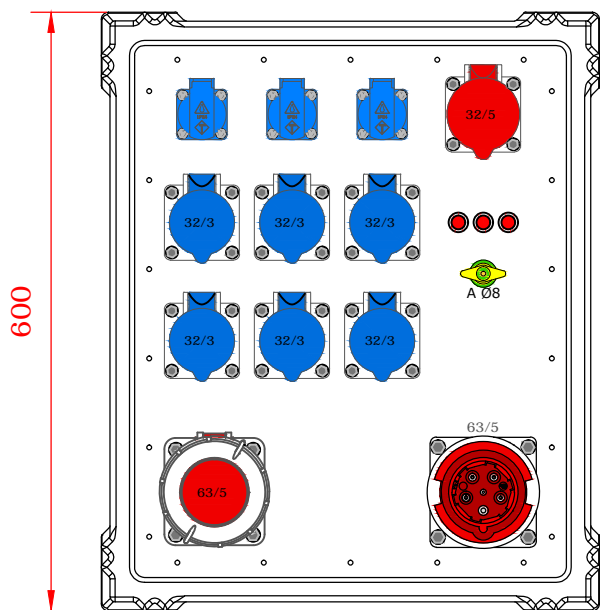
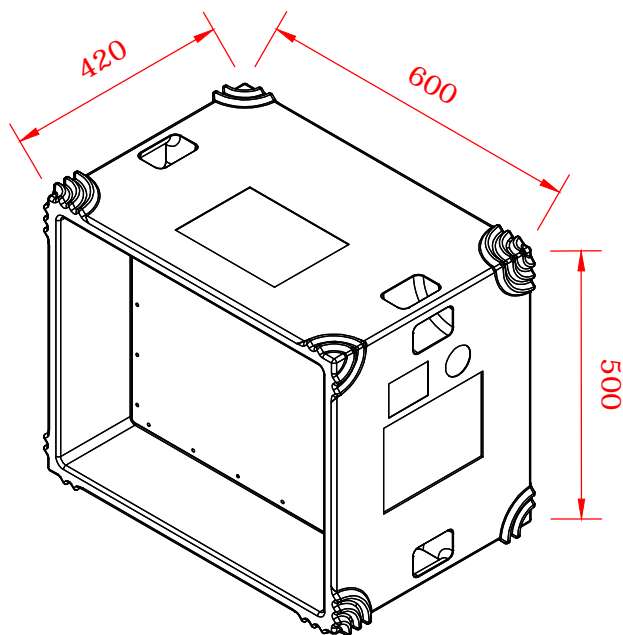

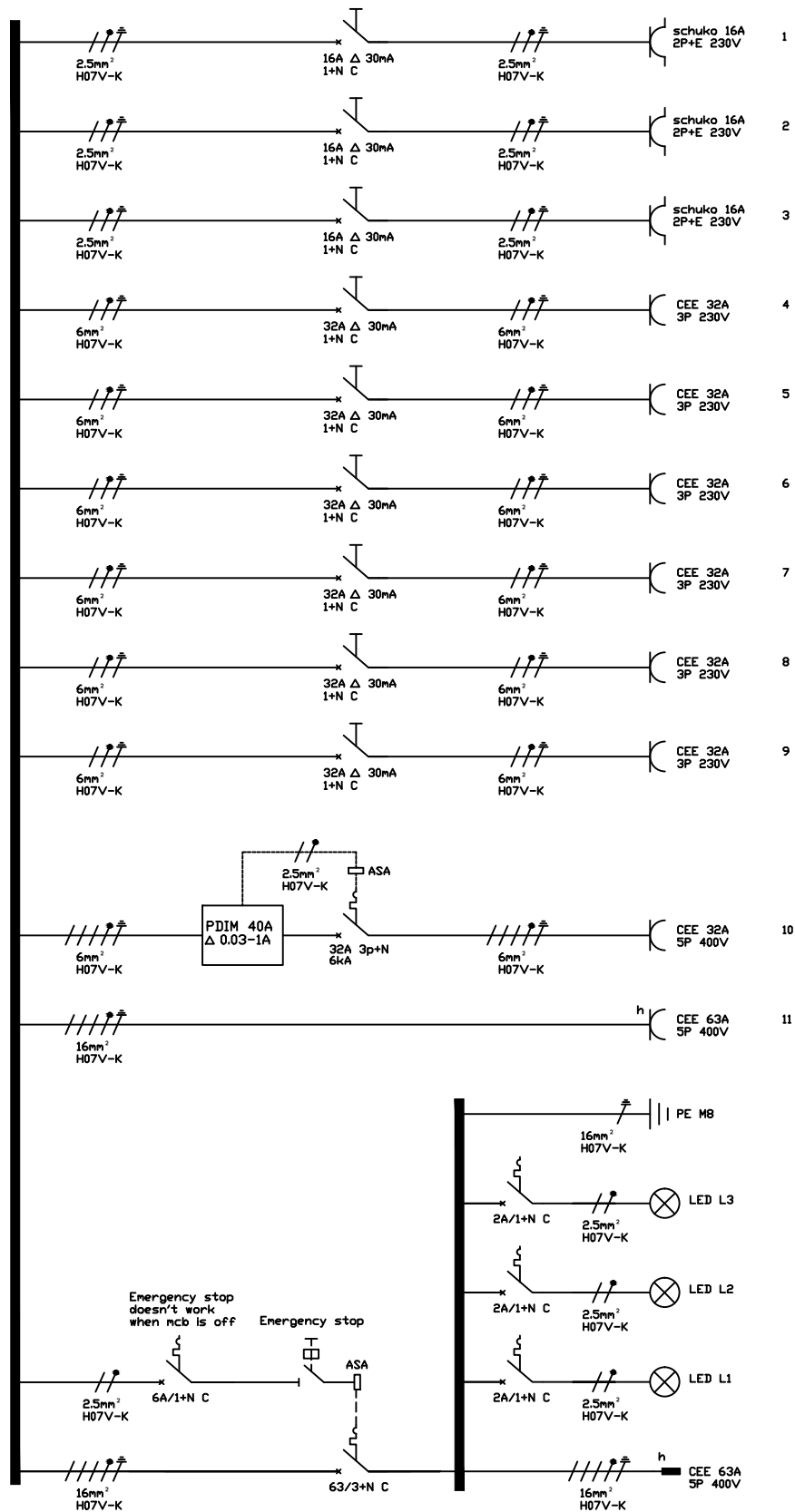


FRONT



BACK

	<b>Vello Elektro BV</b> Typograaf 14 6921 VB Duiven NL + 31 (0) 316 251500	Project:		<b>V45.60.0419-D</b>			<b>A4</b>
		Date 30.06.2016	Name BF				
Gecontroleerd Norm		<b>V45.60 63A</b>			1 P.		
NR.. Modified	Date	Name	Scale 1:6	measurements in mm	Weight ca. 30 Kg		



Vello Elektro BV  
 Typograaf 14  
 6921 VB Duiven NL  
 + 31 (0) 316 251500

V45.60.0419-S

A4

$I_{NA}$	63A	Date	30.06.2016	Name	BF	Remarks	
$U_{NA}$	400V	Design					Page 1
$f_n$ (AC)	50Hz	Check	-	-	-		
RDF (temporary)	0,6	Adjustment	-	-	-		Of 1

According to NEN-EN-IEC-61439