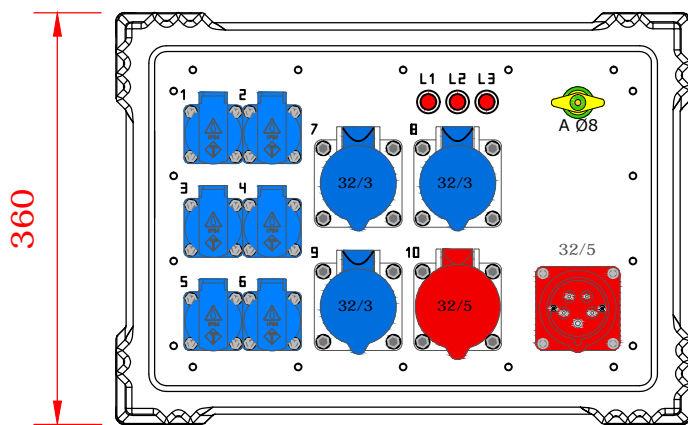
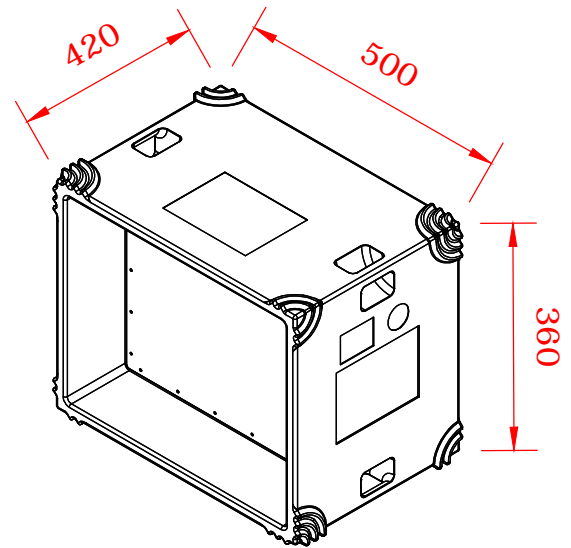



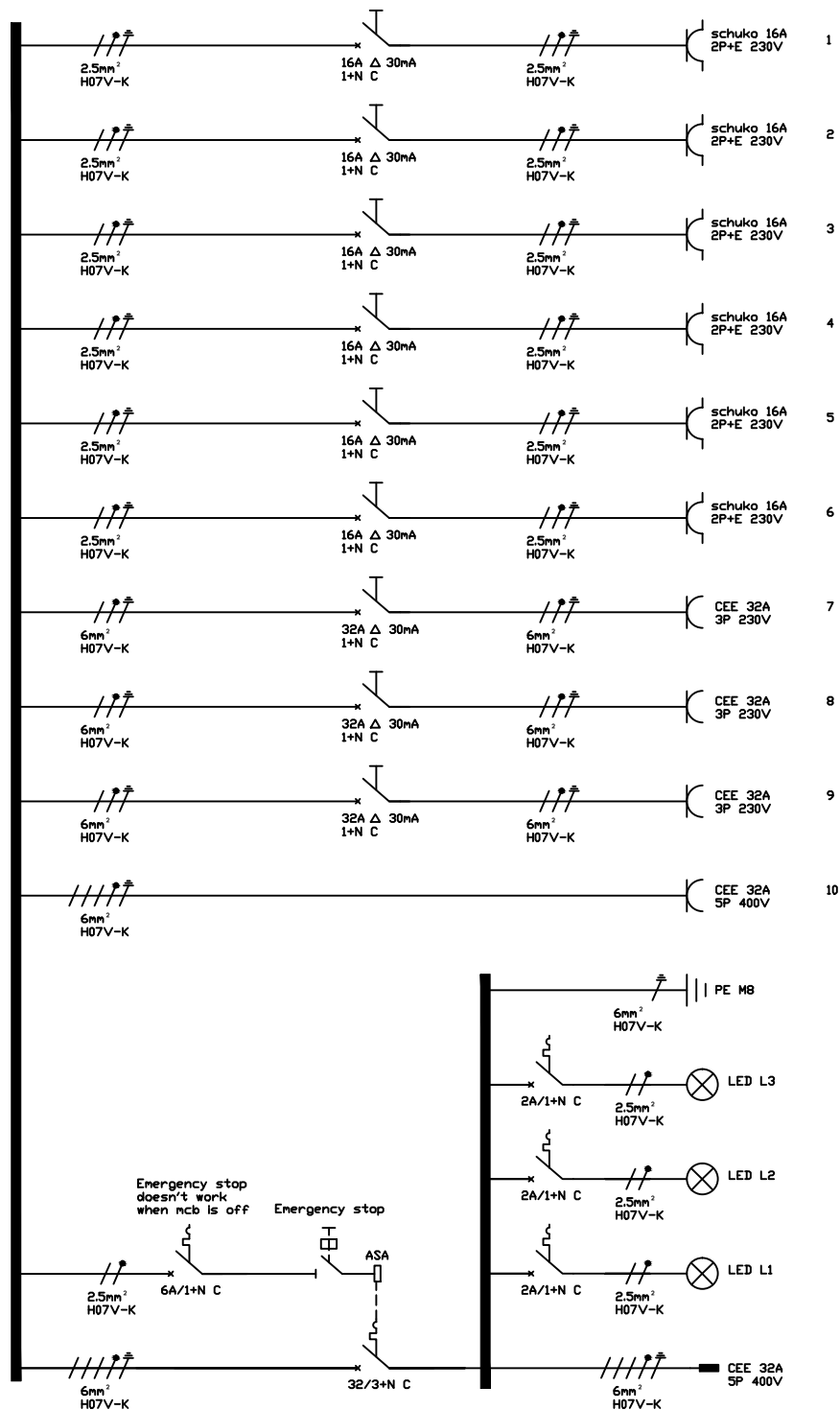
FRONT



BACK

OPTION 4

 <b>Vello</b> ELEKTRO	Vello Elektro BV Typograaf 14 6921 VB Duiven NL + 31 (0) 316 251500		Project:			<b>V45.36.0481-D</b>		<b>A4</b>
			Date	Name	Material: PE	Frame: N.V.T	Page	
			Getekend	07.07.2016	BF	Type: V45		1
			Gecontroleerd					
		Norm			<b>V45.36 32A</b>		1 P.	
NR..	Modified	Date	Name	Scale 1:6	measurements in mm	Weight ca. 30 Kg		



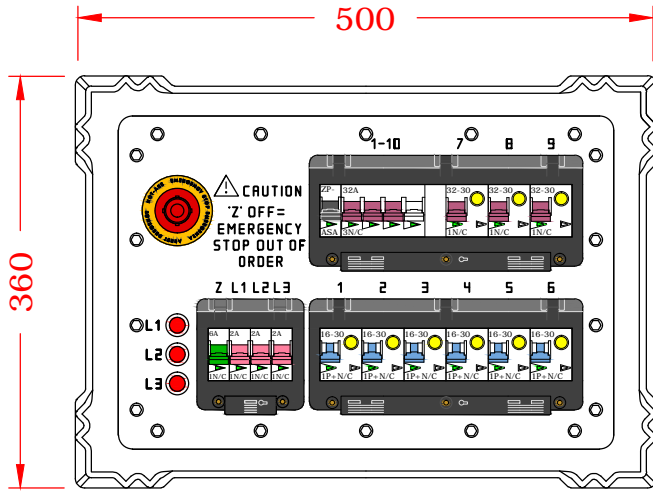
Vello Elektro BV  
 Typograaf 14  
 6921 VB Duiven NL  
 + 31 (0) 316 251500

V45.36.0481-S

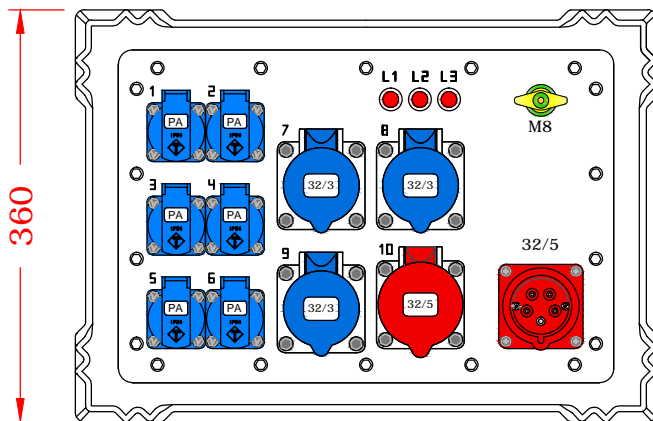
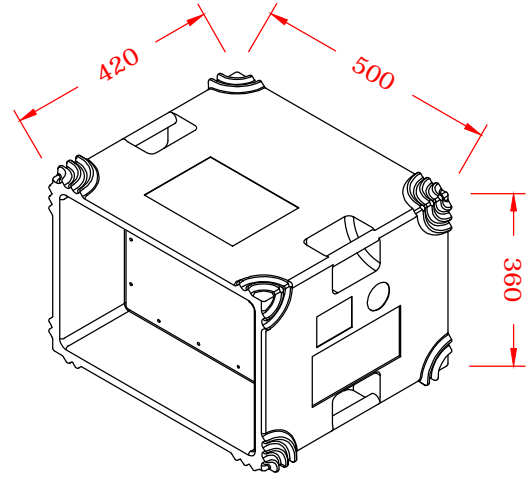
A4

I <sub>NA</sub>	32A	Date	30.06.2016	Name	BF	Remarks	
U <sub>NA</sub>	400V	Design					Page 1
f <sub>n</sub> (AC)	50Hz	Check					
RDF (temporary)	0,6	Adjustment					Of 1

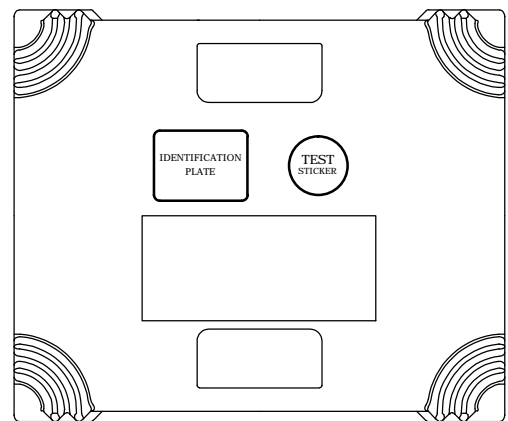
According to NEN-EN-IEC-61439



FRONT



BACK



RIGHT



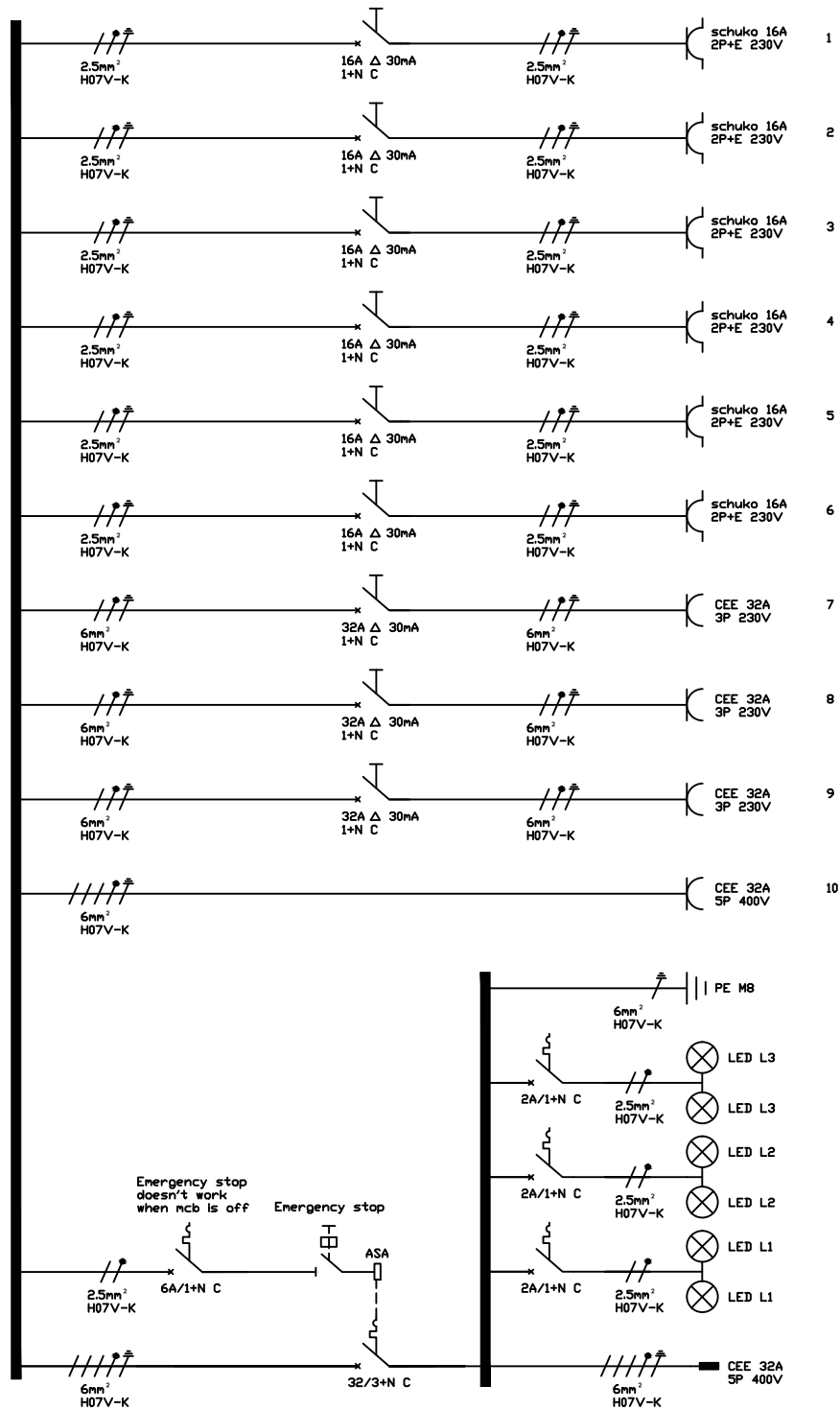
Vello Elektro BV  
 Typograaf 14  
 6921 VB Duiven NL  
 +31(0)316 251500

Project:

V45.36.0679-D

A4

				Date	Name	Material: PE	Frame: N.V.T	Page 1
				23.01.2018	EP	Type: V45		
				Check		V45.36 32A		Of 1
				Adjustment				
NR.	Modified	Date	Name	Measurements in mm	Scale 1:6	Weight ca. 20 Kg		



Vello Elektro BV  
 Typograaf 14  
 6921 VB Duiven NL  
 + 31 (0) 316 251500

V45.36.0679-S

A4

$I_{NA}$	32A	Date		Name		Remarks	
$U_{NA}$	400V	Design	19.02.2018	BF	-		Page 1
$f_n$ (AC)	50Hz	Check	-	-	-		
RDF (temporary)	0,6	Adjustment	-	-	-		Of 1
According to NEN-EN-IEC-61439							