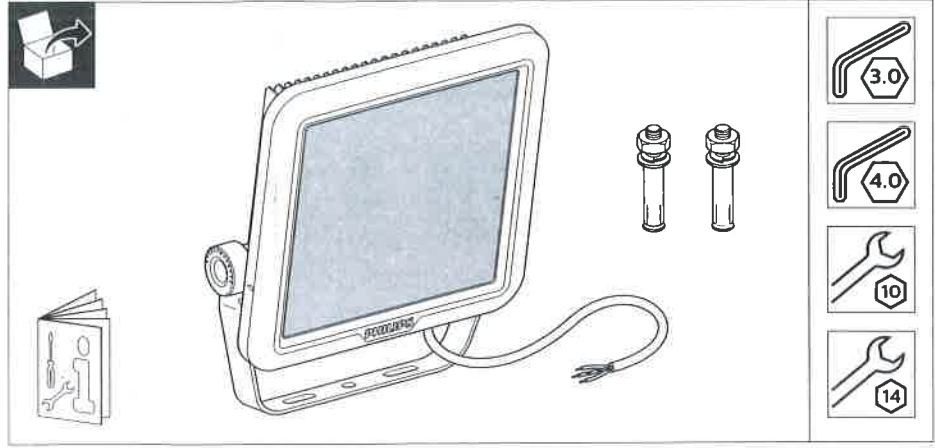


# PHILIPS

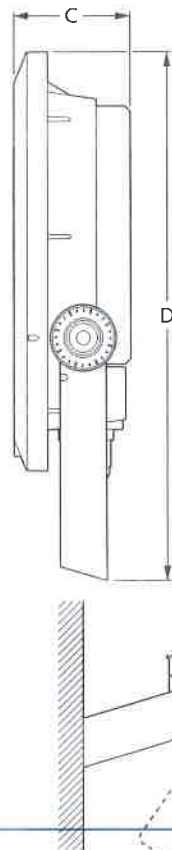
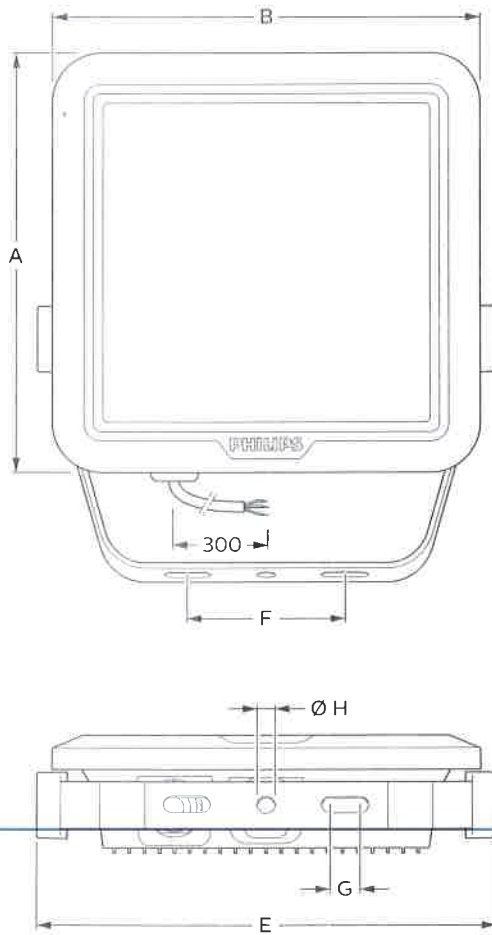
## Ledinaire Floodlight Mini

BVP105

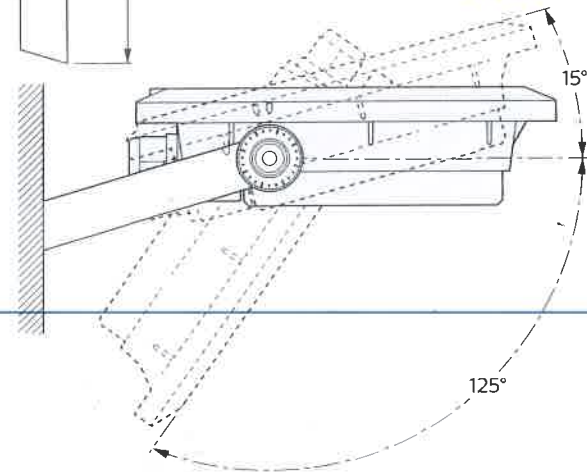


	Flux (lm)	Power (W)	Beam	m <sup>2</sup>	kg
BVP105 LED9 / 840 PSU VWB100	900	10		0.018	0.49
BVP105 LED25 / 840 PSU VWB100	2500	27	Symmetric	0.027	0.79
BVP105 LED45 / 840 PSU VWB100	4500	45		0.039	1.23

Text



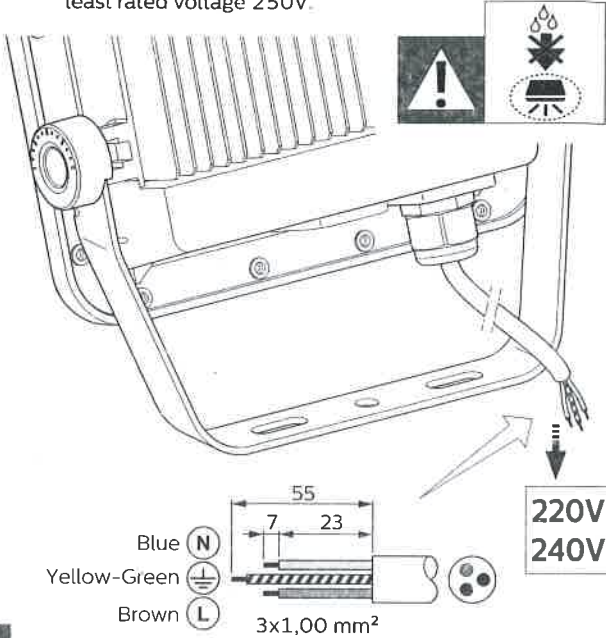
Dimensions in mm			
	10 W	27 W	45 W
A	129	160	185
B	136	164	207
C	42	45	55
D	170	202	236
E	146	175	208
F	55	60	78
G	8.5	11.5	11.5
H	6	6	8





Install the luminaire according to the national regulations.

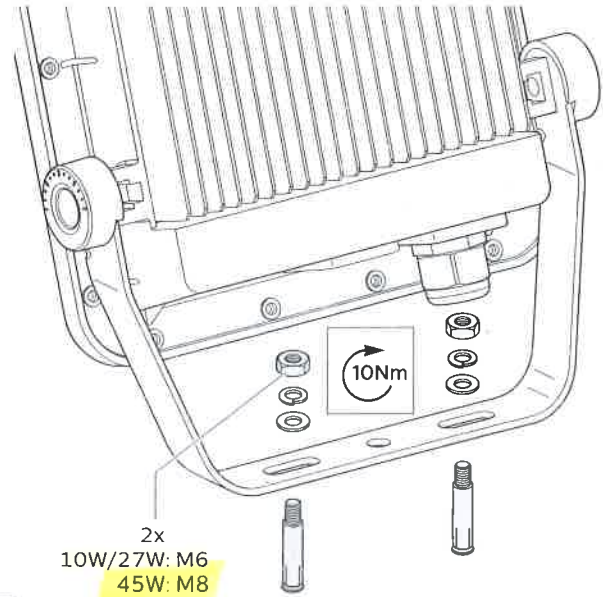
It is recommended to use a supply box with a minimum IP65/67 waterproof, and 3P terminal, the terminal is at least rated voltage 250V.



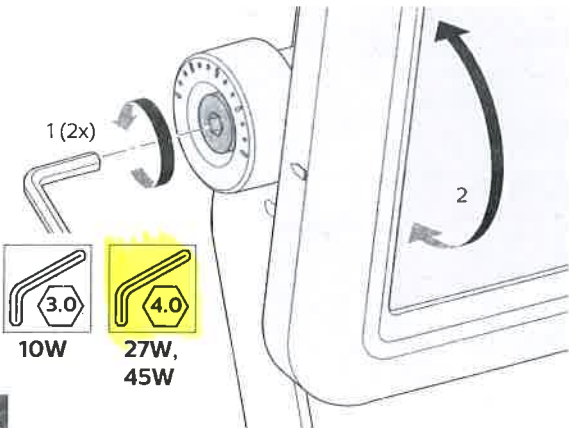
1a



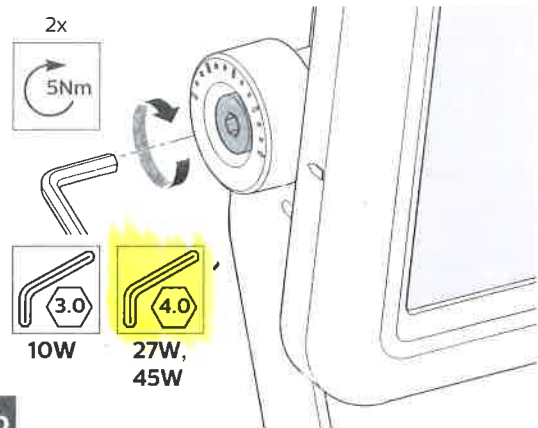
If the luminaire is higher >3 m, the use of 2nd fixing security system is needed.



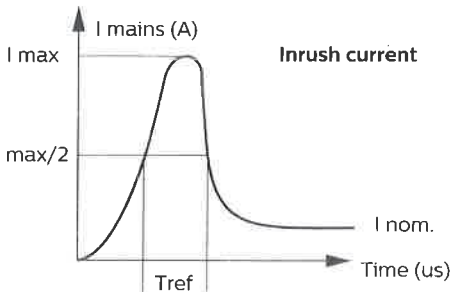
1b



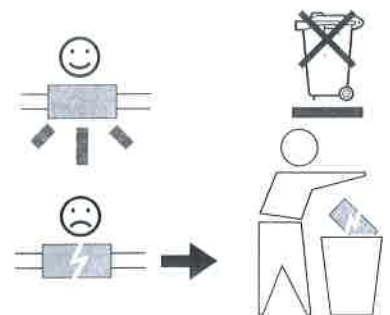
2a



2b



	10W	27W	45W
<b>Electrical characteristics</b>			
Imax (A)	0.13	0.38	0.64
Tref (µs)	1000	1000	1000
MCB	Floodlight Max		
B-10 A	40	30	20
B-16 A	50	40	30
C-10 A	40	30	20
C-16 A	50	40	30



- The luminaire shall be installed or maintained by a qualified electrician and wired in accordance with the latest IEE electrical regulations or the national requirements.
- If the external flexible cable or cord of this luminaire is damaged, it shall be exclusively replaced by the manufacturer or his service agent or a similar qualified person in order to avoid a hazard.
- The light source of this luminaire is not replaceable; when the light source reaches its end of life the whole luminaire shall be replaced.