

24624 Lighting stand

- Attractive stand thanks to its elegant design for tight spaces
- Load bearing weight max. 18 kg*
- Height adjustable stand tube combination (with locking pin and clamp screw)
- Heavy base plate made of steel, comfortable handle, large plug opening and 4 feet covered in felt.
- Height min. 1400 / max. 2400 mm; Extension: \varnothing 35 mm, M10-Threaded Bolt; Base 550 x 550 mm, Weight: 18 kg

Thank you for choosing this product. The instructions provide directions to all of the important set up and handling steps. We recommend you keep these instructions for future reference.

SAFETY NOTES

A. GENERAL

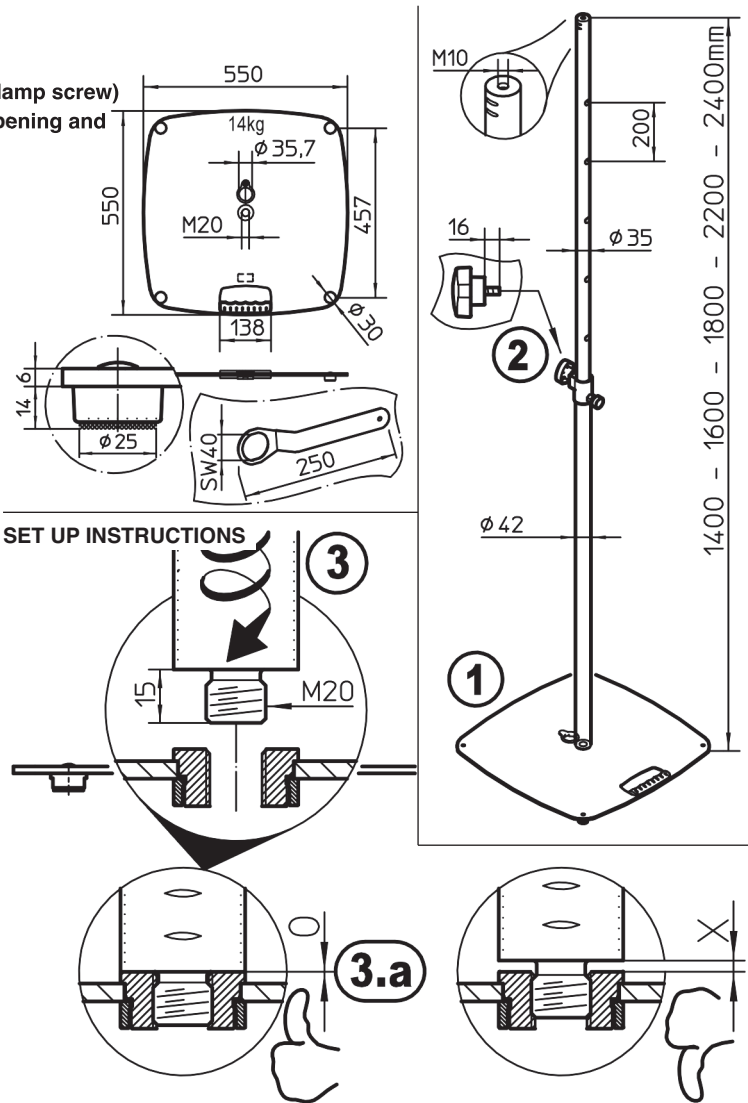
- Load bearing weight: max. 18 kg*
- Assembly and handling only by qualified technicians
- Wear protective gloves during assembly
- Only to be used indoors
- Be sure that the surface will bear the load and is suitable and level
- ATTENTION! The base plate is very heavy and improper use can result in risk to individuals and objects.
- NOTE: in particular during assembly do not drop - this can result in the crushing of limbs
- Base plate and tube combination must be screwed in as far as it goes

B. SETUP, OPERATION, DISASSEMBLY

- SETUP The screw connection between the stand tube and the base plate must be screwed in as far as it will go
- OPERATION: The weight on the tube combination must be centered:
- if the weight is not centered - this has a negative affect on stability
 - Locking pin 17 must be locked into place and the clamping screw 19 must be tightened
 - Never loosen the locking pin and the clamp screw without having someone hold the weight objects on the stand
- DISASSEMBLY: first remove the objects from the extension tube then unscrew the stand tube from the base plate

C. LATERAL FORCES

- Lateral forces are to be avoided due to the risk of it falling over. This includes:
 - a. the load bearing weight is not centered
 - b. bumps, brushing into, vibration, wind, uneven surface
- NOTE: Maintain safety distance, keep unauthorized persons away
- Should the effectiveness of the measures not be guaranteed, (e.g. by not keeping the safety distance and the safety distance cannot be guaranteed) the technicians should secure the object with the following additional steps:
 - Anchor the base plate to the floor
 - suitable extension/expansion/weighting down of the base plate



SET UP INSTRUCTIONS

- 1 Base plate with feet are to be placed feet down in the desired position.
 - 2 Screw the clamp screw into clamping bracket
 - 3 Threaded connector -M20 of the tube combination is to be screwed into the baseplate as far as it will go.
 - 3.a Ensure that a space is not left between the tube and the plate
- NOTE: Regularly check and tighten the screws, if needed.

USAGE NOTES / FUNCTION

DIRECTION of the TUBE COMBINATION

- After the tube combination has been screwed in as far as it will go, the operation elements could point in an undesired direction. This can be corrected.
- We recommend that two people are used for this: one person holds the plate and the other person holds the tube
- 4 The counter nuts on the underside of the plate are loosened with an allen wrench
- 5 The tube is moved back and forth a bit, so that the female threaded bolt can be removed from the plate
- 6 Now turn the tube in the desired direction and feed the female threaded bolt into the plate
- 7 Place the counter nuts in the proper position and tighten them with the allen wrench

HANDLE

- 8 The comfortable handle protects your hands and makes transport and installation of the base plate easier and much safer.

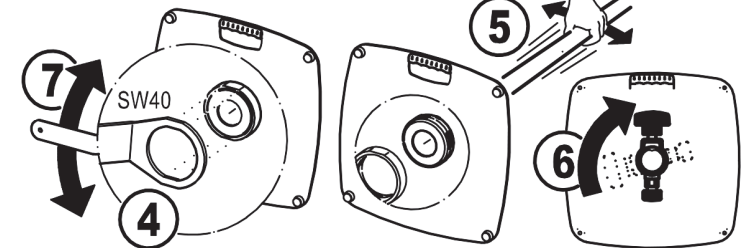
FEET

- To protect the floor the base plate has four screw-in feet that are covered in felt.
- 9 Loose feet must be tighten with a socket wrench (SW8 = M5).

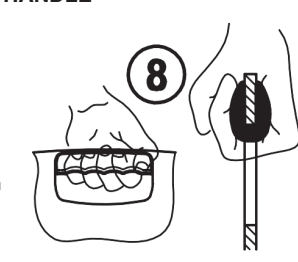
CABLE / PLUG OPENING

- 10 Attractive appearance: Cable are laid underneath the base plate.
- 11 Technically on the safe side: the opening provides room for all standard plug types and the plastic ring protects the cables against sharp edges.

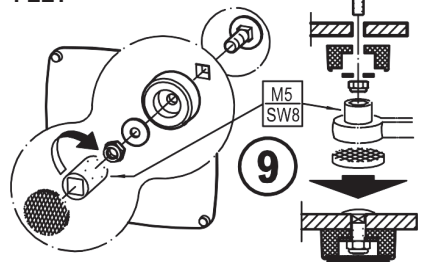
DIRECTION of the TUBE COMBINATION



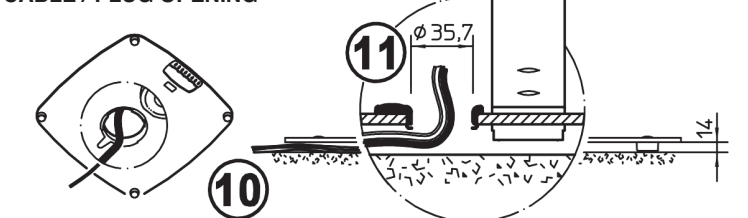
HANDLE



FEET



CABLE / PLUG OPENING



USAGE NOTES / FUNCTION

MOUNTING LIGHT(S) TO THE STAND

ATTENTION!

Do not underestimate the weight of the lights
12 placement and extension of the lights must be carried out by physically fit technicians.
Firmly grasp the tubes and secure with the locking pin.

MOVING THE LIGHT STAND (LOAD)

Technicians:

FP - First Person:
operates the distance rod with the weight

SP - Second Person:
operates the clamping bracket's clamping screw and locking pin

Order when extending the stand:

FP

13 holds the extension tube

SP

14 loosens the clamp screw and holds it

15 pulls the locking pin until the locking pin is no longer in the locked position

FP

16 extends the extension tube and lighting to the desired approx. height;

NOTE:

to find the pin hole easily the locking pin should be placed just above the hole

SP

17 let go of the locking knob, so that the pin can click into the extension tube

FP

18 slowly lowers the extension tube until the locking pin locks

SP

19 tightens the clamping screw (manual strength is enough)

When retracting the weight the reverse order applies

IMPORTANT: Ensure that one person immediately tightens the locking pin 17 if a second person cannot securely hold the extension tube.

FAULT-FINDING (F) and REPAIR (R)

F: The base plate rocks back and forth on the floor:

R: Check if the surface is even

R: Base plate feet 9 are loose?, tighten with a socket wrench (SW8 = M5)

F: The tube combination is not sturdy i.e. is leaning to one side:

R: Check to ensure that the M-20 bolt is tight, Securely screw in the tube combination 3

R: Counter nuts 4 are loose? Tighten with Allen wrench (SW40)

R: Check to ensure that the tube combination is straight

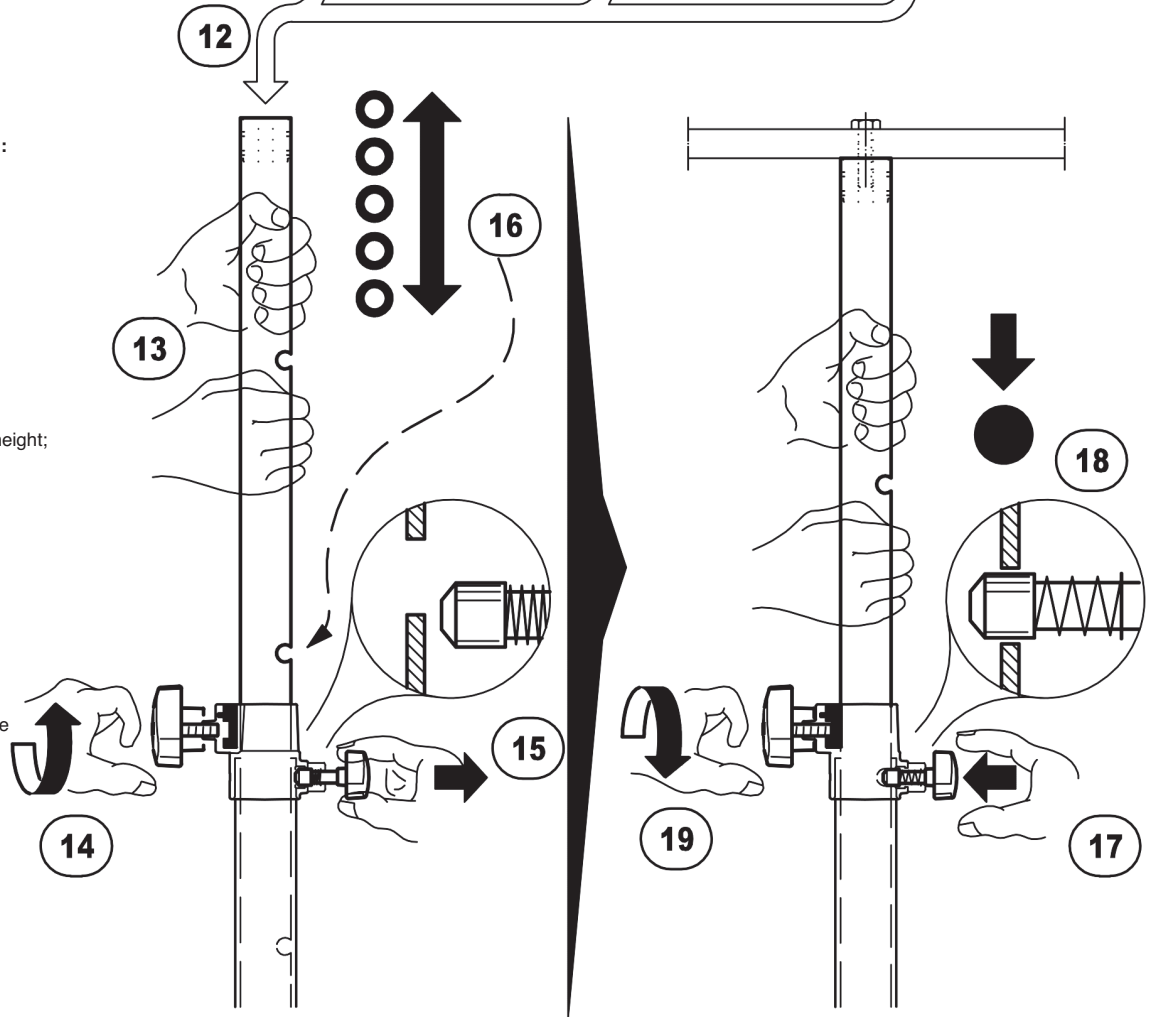
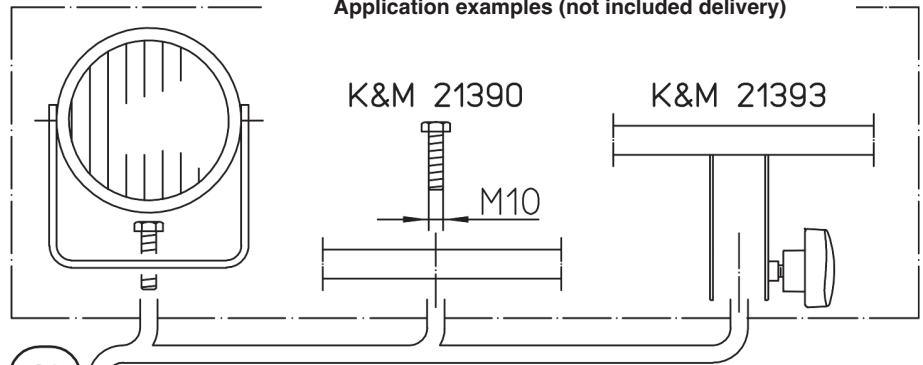
R: Ensure that the surface this even

F: The tube combination is facing in the wrong direction:

R: Loosen the counter nut 4, Place the tube combination in the desired direction 6 and secure the position by tightening the counter nut 7

* With centric loading, on a horizontal surface and without lateral forces (wind, shocks etc.)

Application examples (not included delivery)



CHECK, MAINTENANCE, CLEANING

- Careful use of the stand maintains the use of the extension tube and the load bearing functionality of the stand as well as the safety of the installation.
- Perform maintenance only without the lighting attached and watch for possible risks (pinched fingers, impact, the stand falls over).
- To care for the product use a damp cloth and a non-abrasive cleaning agent.

TECHNICAL DATA

Material	Plate, Feet, Tubes: Steel, black powder coated Threads: Steel, galvanized Brackets: Zinc die-cast, black powder coated Cable protection: PA-6, black Handle: TPE, black
Load capacity	max 18 kg*
Dimensions	W x D x H: 550 x 550 x 2400 mm
Box	Base: 670 x 670 x 35 mm Tube combination: 1400 x 115 x 5 0mm
Weight	18 kg
Accessories (optional)	Crossbars 21390, 21393 Carrier bag for base plate 24627