

# PIXELATOR – Datasheet

48 Universe (24 output) master controller for a PLINK system.



ENTTEC's PIXELATOR is a 24-port Ethernet to pixel controller. Using ENTTEC's PLINK protocol, each port provides data to ENTTEC's PLINK INJECTORS which can output up to 2 Universes each. The Pixelator can send data up to 24,576 channels (8,192 RGB pixels) with perfect synchronization across all eight of its outputs.

The PIXELATOR can receive sACN, Art-Net & ESP and output a wide range of SPI pixel output protocols. All configuration is undertaken using an intuitive web interface. Controlling LED pixels, dots and digital strips has never been easier.

ENTTEC's PLINK protocol can transmit up to 1024 channels (2 Universes) over a 300m distance using Cat5e/Cat6 cable to each ENTTEC PLINK INJECTOR. This allows for control of up to 340 RGB or 256 RGBW pixel per output. This satellite system provides great flexibility, PIXELATOR since all data conversion is processed on the PIXELATOR, the PLINK INJECTOR is kept as compact as possible.

Depending on the application, choose between the indoor or outdoor IP PLINK INJECTOR, ensuring that the voltage is compatible with the pixels and power supply which is installed locally to the PLINK INJECTOR.

## Features

- **24\* RJ-45 ports (each providing 2 Universes of PLINK data output)**
- **48 Universe Ethernet to PLINK data over Cat5e/Cat6 cable**
- **1U Rack form factor**
- **Easy to setup & update through any web browser**
- **Supports sACN, Art-Net, ESP and Kling-Net**
- **RJ45 Ethercon connector (10/100 Mbps)**
- **Static or Dynamic (DHCP) IP configuration (DHCP by default)**
- **Compatible with ENTTEC PLINK INJECTORS**
- **Pixel Grouping is configurable for each PLINK port. (1 to 340) for RGB and (1 to 256) for RGBW**
- **Each PLINK output can be assigned up to 2 Ethernet Universes.**
- **Pixel Ordering is configurable for each PLINK port. Drives 2 DMX universes of Pixel Tape/Dots.**
- **Each port outputs at 40 frames per second**
- **ArtSync support to ensure all outputs are in synchronization with each other.**
- **Clock module to sync multiple universes output and an in-built DMX Generator**
- **Dual core CPU, with a clock speed 2GHz – provides efficient and reliable output**
- **1GB DDR3 RAM – allows best utilization of the system.**

## Specification

Connectors	24* PLINK Output (RJ-45)	
	1* LAN port (RJ45)	
	1* RS232 Port (un-used)	
	2* USB Ports (un-used)	
IP rating	IP20	
LCD Functionality	Status, Profiles, Settings	
Input Protocol	Art-Net	sACN
	KiNet	ESP
PIXELATOR Data Output	PLINK Data	
PLink Data Output Type	SPI. See website for all supported protocols	
Input Voltage	85-264V AC	
Input Frequency	47-63Hz	
Power Consumption	20W	
Configuration & Update	Web Interface	
Cooling Method	Passive	
Max. Output Refresh Rate	40FPS	
Environmental Operating Temperature	0°C to 50°C 32°F to 122°F	
Environmental Operating Humidity	5- 95% (non-condensing)	
Body Material	Powder coated & anodized aluminium	
Unit Weight	1.60kg / 3.53lbs (2019 and later)	
Shipping Dimensions	516 * 288 * 125 mm	
Shipping Weight	2.10kg / 4.63lbs	
Warranty	3 year return to base manufacturer warranty	

## Certification

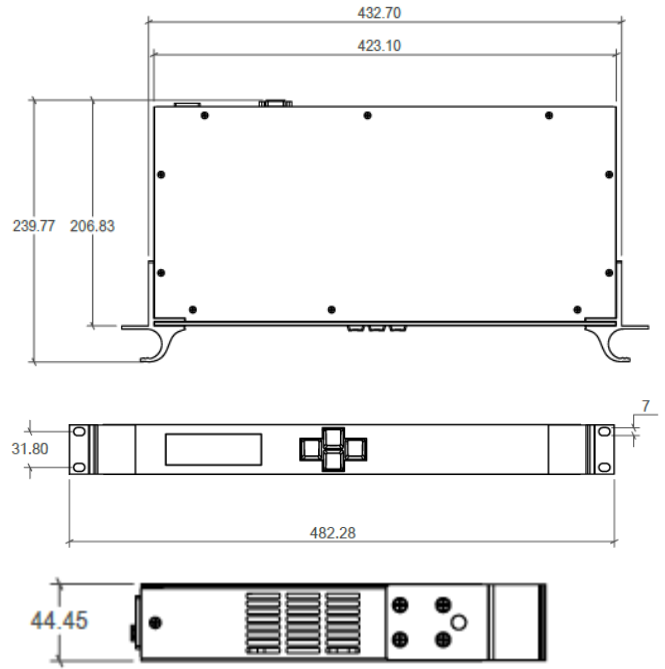


## Box contents

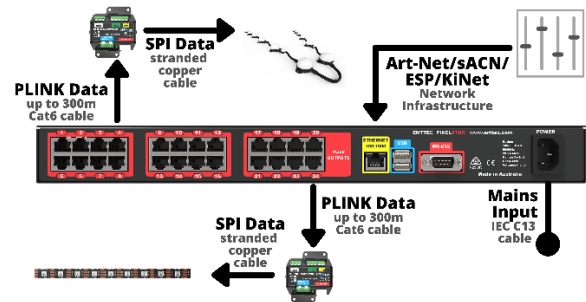
- PIXELATOR
- Ethernet Cable
- IEC cable (included & packaged separately)
- Read Me Card with ELM Promo Code (48 Universes)

Promo Code is implemented after SN#0050C2084699 (August 2022)

## Physical Dimension



## Application Diagram



## Safety

- This unit is intended for indoor use only.
- Do not expose the unit to rain or moisture, doing so will void the warranty.
- Do not remove the cover, there are no serviceable parts inside
- Do not block or cover ventilation on this device.
- Ensure proper earth connections.
- Always be sure to mount this unit in area that will allow proper ventilation. Allow about 6" (20cm) between this device and a wall.

## Ordering information

For further support and to browse ENTTEC's range of products visit the [ENTTEC website](https://www.enttec.com).

Item	SKU
PIXELATOR	70060
PLINK INJECTOR 5v	73546
PLINK INJECTOR 12v-24v	73544

# enttec.com

MELBOURNE AUS / LONDON UK / RALEIGH-DURHAM USA

Due to constant innovation, information within this document is subject to change.