



QuikPunch is a high-output, battery-driven and zoomable Fresnel-based spotlight with a dedicated ChargingPlate and PrepBox, removable yoke and SafetyLink-ready barndoors.



App



Wireless DMX



Max 20h



IP65

SPECIFICATIONS

Order Code	AST-QUKPN
LED Engine	Titan LED Engine
Colors	RGBMintAmber
Output Gain	Yes
LED Power Draw	75 W
Tungsten Equivalent	650 W
Luminous Flux 2700 K	3 173 Lumens
Luminous Flux 3200 K	3 348 Lumens
Luminous Flux 4000 K	3 679 Lumens
Luminous Flux 5500 K	3 918 Lumens
Luminous Flux 6500 K	3 891 Lumens
Light Output 2700 K @ 1 m (13°)	51315 Lux
Light Output 3200 K @ 1 m (13°)	51315 Lux
Light Output 4000 K @ 1 m (13°)	53886 Lux
Light Output 5500 K @ 1 m (13°)	58918 Lux
Light Output 6500 K @ 1 m (13°)	62695 Lux
CRI (Ra) / TLCI 3200 - 6500 K* (OutputGain disabled)	≥96
Beam Angle	13° – 60°
Field Angle	20° – 75°
Strobe	0 - 25 Hertz
Battery Runtime	up to 20 hours
Battery Runtime (max. Brightness)	4 hours 30 min
Battery Lifetime	70 % after 500 cycles
Charging Time (nominal)	5 hours 15 min
AC Input	100 - 240 VAC, 50 / 60 Hertz, 115 VAC - 2 A / 230 VAC - 1 A
AC Connector	PowerCON TRUE1 IN / OUT
Power Consumption (max.)	100 W
Wired DMX	Yes
CRMX Receiver	Built-in
BluetoothBridge BTB	Built-in
Wireless Protocols	CRMX, UHF, Bluetooth, WiFi
Wireless Range	CRMX/UHF up to 300 m / 330 yds Bluetooth up to 3 m / 3.3 yds

RDM Support	Wireless and wired
Infrared Control	Yes
PrepBox compatible	Yes
IP Rating wired / unwired	IP65
Ambient Operating Temperature	0 - 40 °C / 32 - 104 °F
Weight	6.567 kg / 14.48 lbs
Dimensions (L x W x D)	237.5 mm x 188 mm x 309 mm / 9.35" x 7.71" x 12.17"
Mounting Options	AirlineTrack, 3/8" - 16 UNC thread, Yoke (with 3/8" - 16 UNC thread, 1/2" hole)

All specifications provided are typical values and maybe subject to change without prior notice.

*OutputGain is designed for event use; for the best color rendering, it must be deactivated. Astera doesn't provide colour rendering values for this feature since it was never intended to replace the high quality whites of Titan LED Engine. Maximum battery runtime is the same with and without OutputGain

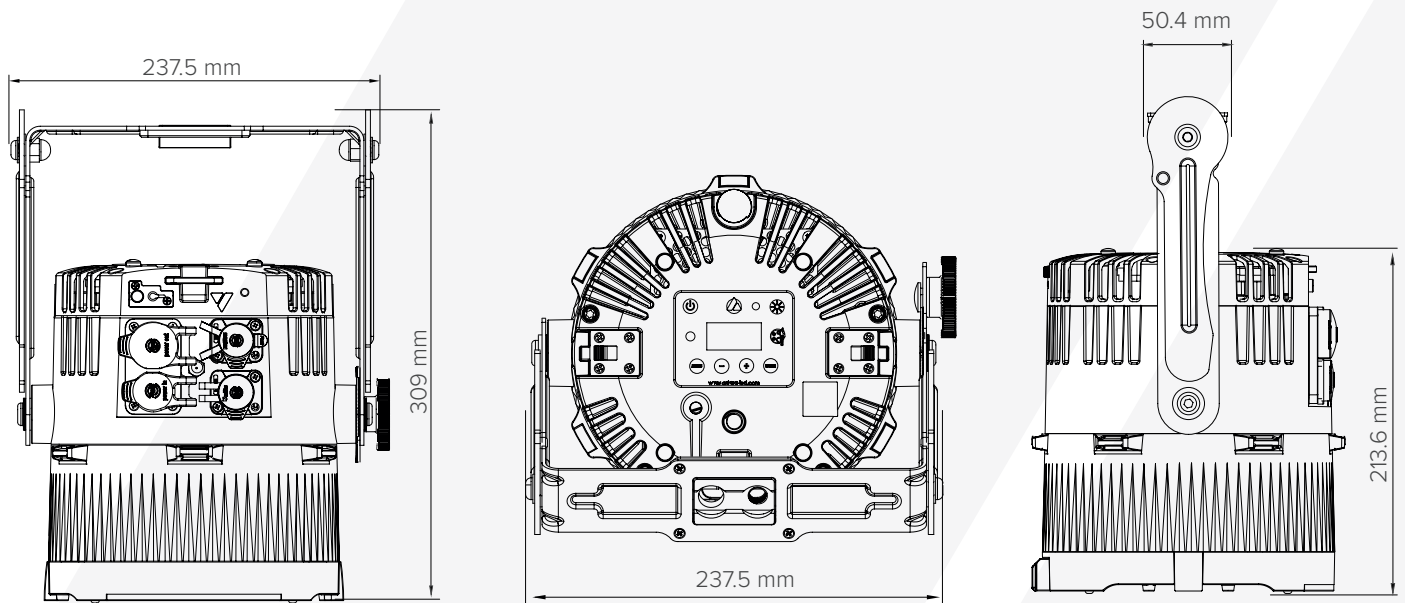
RF CHARACTERISTICS

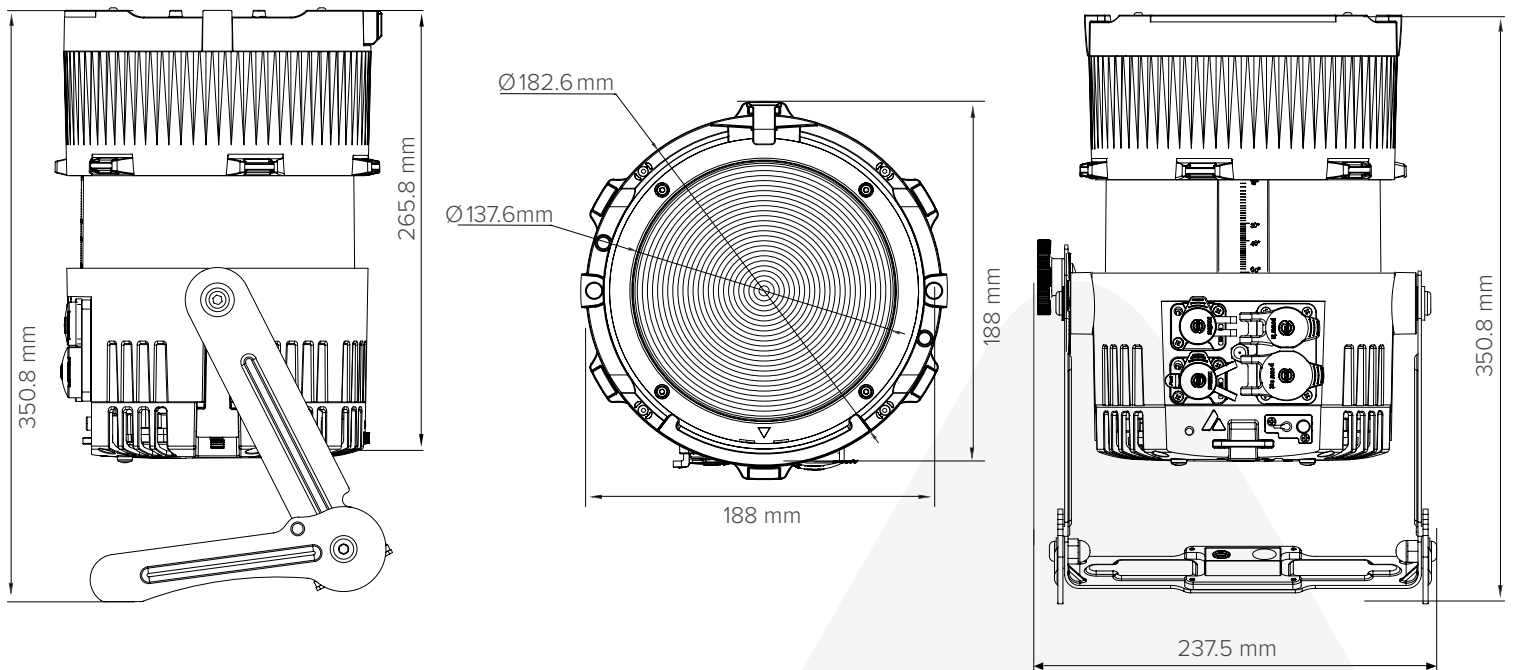
Wireless Modules	EU: UHF** (863-870MHz)	USA: UHF (917-922.20MHz)	AUS: UHF (922.30-927.50MHz)	SGP: UHF (920.50-924.50MHz)	KOR: UHF (917.9-921.5MHz)
Modulation	FHSS	FHSS	FHSS	FHSS	FHSS
ERP (Transmitter)	<25mW	<25mW	<25mW	<25mW	<25mW
Channel Count	47	53	53	41	10

Wireless Modules	RUS: UHF (868.75-869.12MHz)	JPN: UHF (922.80-926.40MHz)	CRMX (2402-2480MHz)	Bluetooth 5.0 LE (2402-2480MHz)	WiFi (2412-2472MHz)
Modulation	FHSS	FHSS	FHSS	FHSS	DSSS, OFDM
ERP (Transmitter)	<25mW	<25mW	< 100 mW	10mW (BLE)	<100mW
Channel Count	6	19	79	40	13

***General allocation of frequencies for use by short-range radio applications

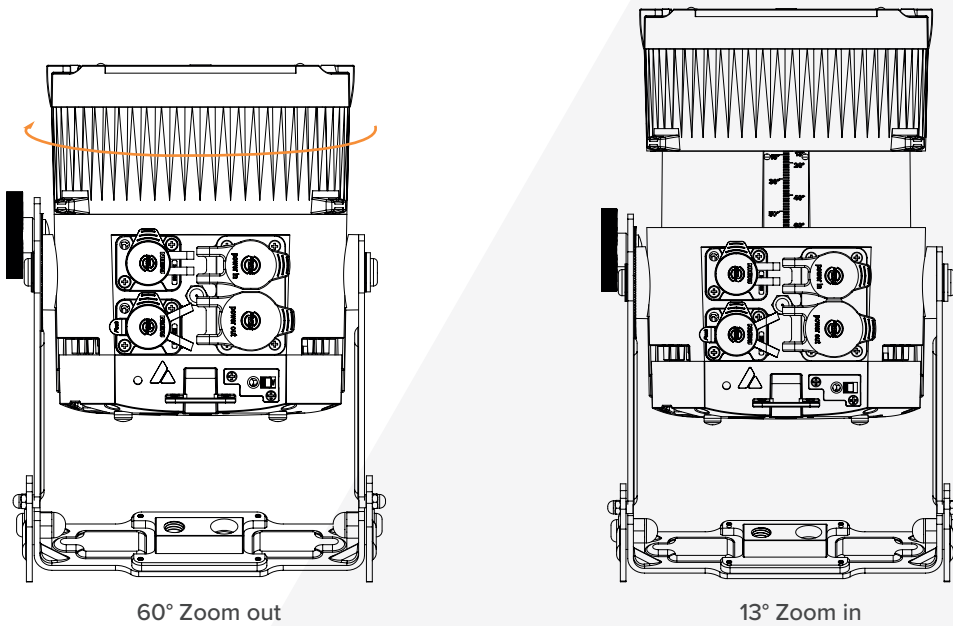
DRAWINGS



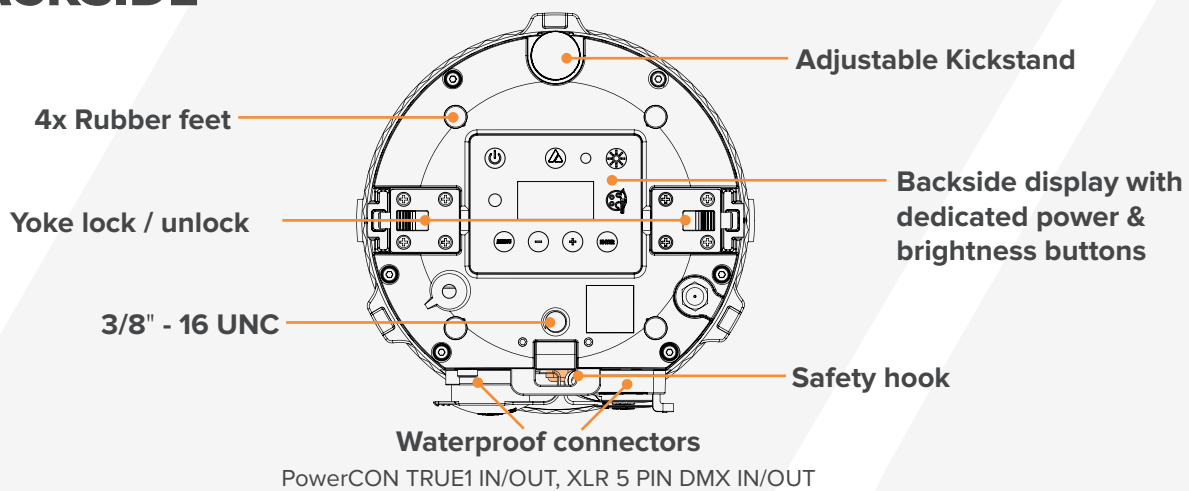


QUIK TURN

Rotate barrel counter-clockwise to zoom in. Zoom range: 13° to 60°

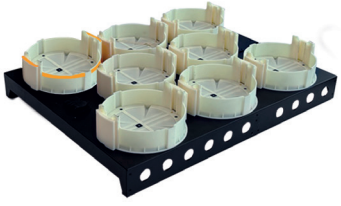


BACKSIDE



ACCESSORIES

ChargingPlate
AST-QUKPN-CHRPLT



PrepBox
AST-PRPBX



Barndoor
AST-QUKPN-BD



included

TrackPin Compact
AST-TPC



FlexCover
AST-QUKPN-FLXCVR-WT-8
AST-QUKPN-FLXCVR-MIR-8



TrackSpigot
AST-TSP



EdgeSoftener Filter
AST-QUKPN-ES



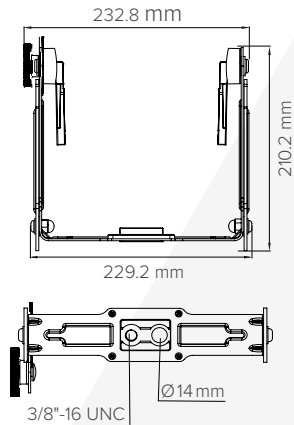
Rotatable Filter 17°x46°
AX9-ROTAD



Yoke
AST-QUKPN-YK



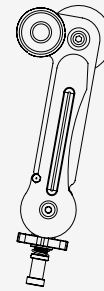
included



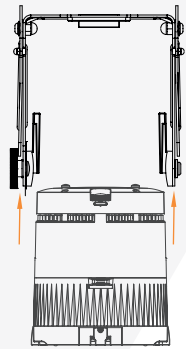
Foldable



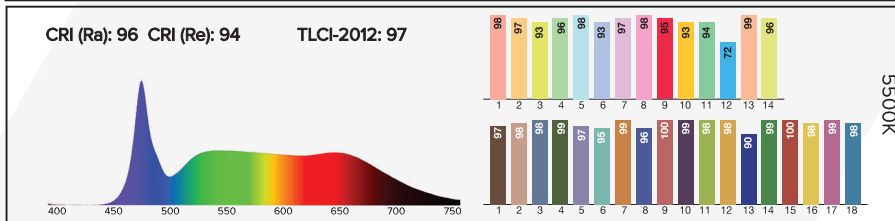
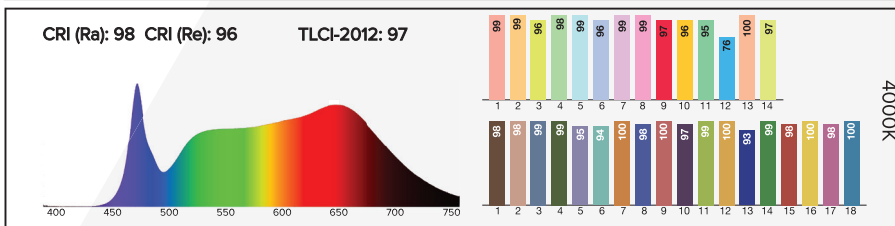
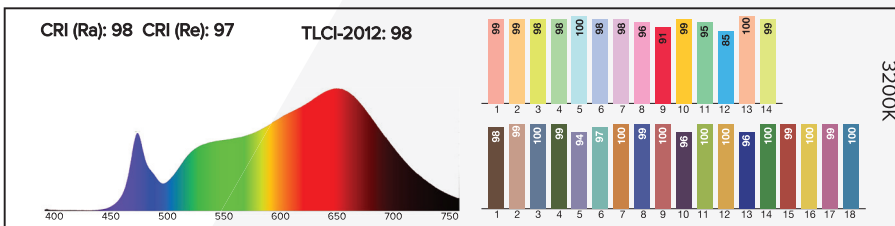
Yoke with
TrackPin Compact



Removeable



TYPICAL SPECTRAS



Typical values



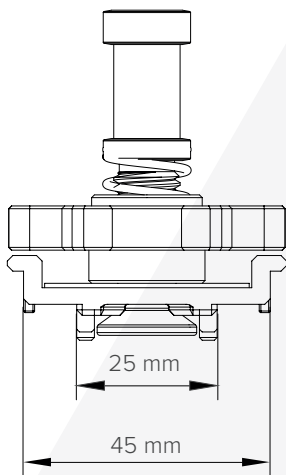
Short pin for SuperClamp attachment, compatible with airline tracks.

SPECIFICATIONS

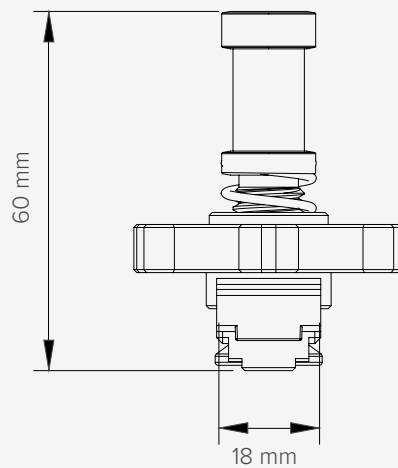
Order Code	AST-TPC
Connectors	5/8" Pin, single stud fitting
Weight	143 g / 0.315 lbs
Dimensions (L x W x D)	60 mm x 51 mm x 50 mm / 2.36" x 2.01" x 1.97"

All specifications provided are typical values and maybe subject to change without prior notice.

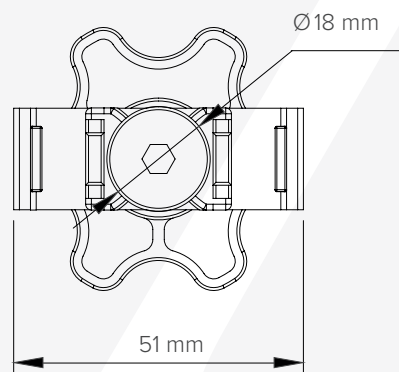
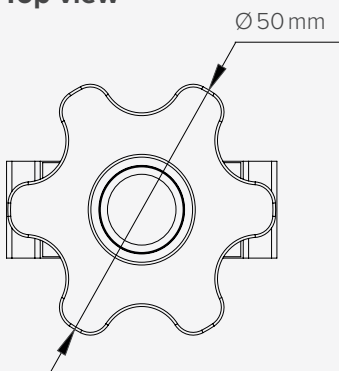
DRAWING



Top view



Bottom view





Datasheet

Barndoor for QuikPunch



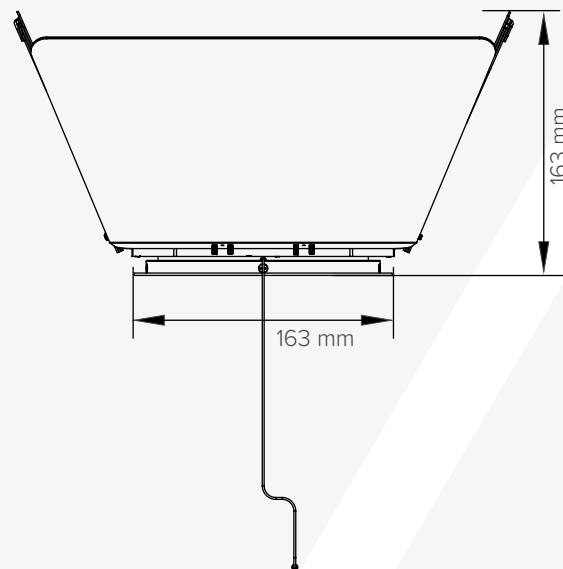
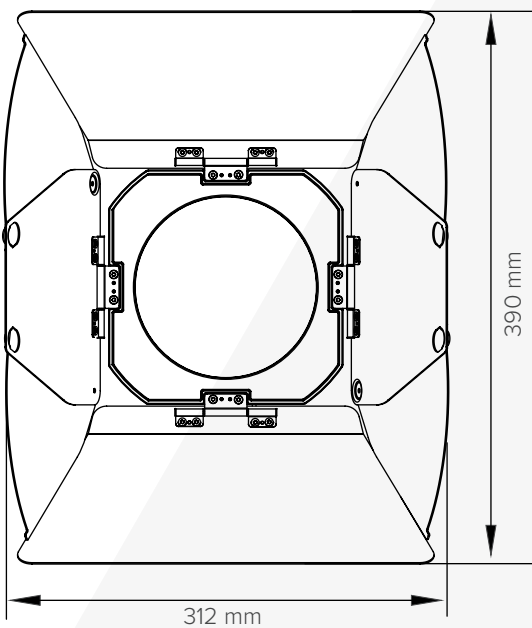
The 8-way rotational barndoors with integrated SafetyLink are included with every QuikPunch unit.

SPECIFICATIONS

Order Code	AST-QUKPN-BD
SafetyLink	Yes
Weight	826 g / 1.821 lbs
Dimensions (L x W x D)	390 mm x 312 mm x 166.8 mm / 15.35" x 12.28" x 6.57"

All specifications provided are typical values and may be subject to change without prior notice.

DRAWING



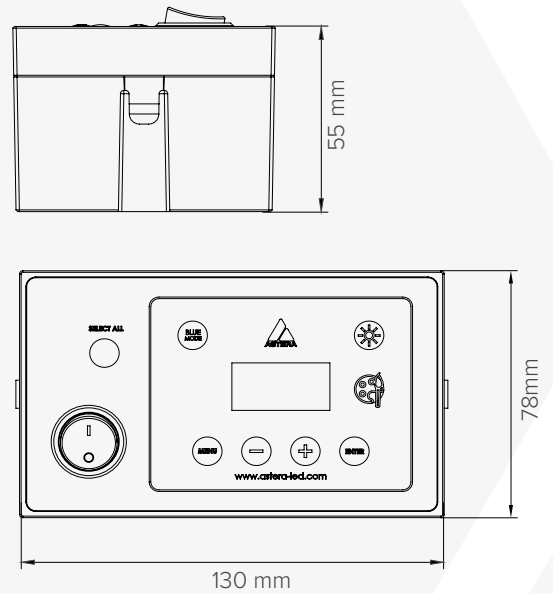


PrepBox and ChargingPlate are the ideal setup and charging tools for prepping up to 8 QuikSpots at the same time. Specifically designed for flight-case integration, allow for any software adjustment or App pairing in seconds.

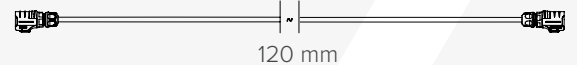
SPECIFICATIONS

Order Code	AST-PRPBX
Battery Runtime	9.5 hours
Battery Lifetime	70 % after 400 cycles
Charging Time (nominal)	8 hours
DC Input	25.5 VDC - 0.2 A
DC Connector	7 Pin Connector
Power Consumption (max.)	2.3 W
BluetoothBridge BTB	Built-in
Wireless Protocols	UHF, Bluetooth, WiFi
Wireless Range	UHF up to 300 m / 330 yds Bluetooth up to 3 m / 3.3 yds
IP Rating wired	IP65
IP Rating unwired	IP20
Ambient Operating Temperature	0 - 40 °C / 32 - 104 °F
Weight	300 g / 0.661 lbs
Dimensions (L x W x D)	130 mm x 78 mm x 51 mm / 5.12" x 3.07" x 2.01"
Mounting Options	Rail for HoldingBracket for PrepBox
Included	PrepBox Cable for connection to ChargingPlate

DRAWING



PrepBox XLR Cable



All specifications provided are typical values and may be subject to change without prior notice.

RF CHARACTERISTICS

Wireless Modules	EU: UHF*** (863-870MHz)	USA: UHF (917-922.20MHz)	AUS: UHF (922.30-927.50MHz)	SGP: UHF (920.50-924.50MHz)	KOR: UHF (917.9-921.5MHz)
Modulation	FHSS	FHSS	FHSS	FHSS	FHSS
ERP (Transmitter)	<25mW	<25mW	<25mW	<25mW	<25mW
Channel Count	47	53	53	41	10

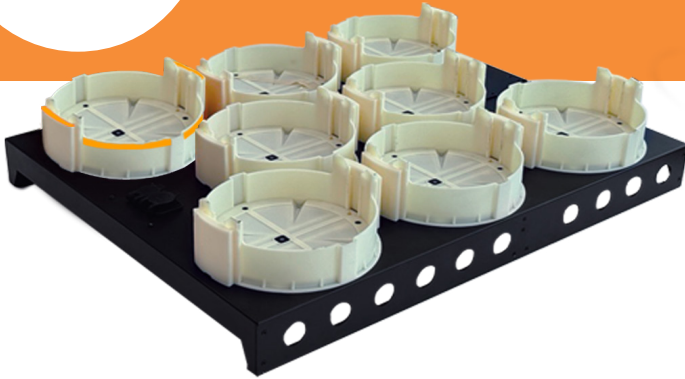
Wireless Modules	RUS: UHF (868.75-869.12MHz)	JPN: UHF (922.80-926.40MHz)	CRMX (2402-2480MHz)	Bluetooth 5.0 LE (2402-2480MHz)	WiFi (2412-2472MHz)
Modulation	FHSS	FHSS	FHSS	FHSS	DSSS, OFDM
ERP (Transmitter)	<25mW	<25mW	-	10mW (BLE)	<100mW
Channel Count	6	19	79	40	13

***General allocation of frequencies for use by short-range radio applications



Datasheet

ChargingPlate for 8x QuikPunch



The combination of PrepBox and ChargingPlate are the ideal setup and charging tools for prepping up to 8 QuikPunch at the same time. Specifically designed for flight-case integration, allows for any software adjustment or App pairing in 10 seconds.

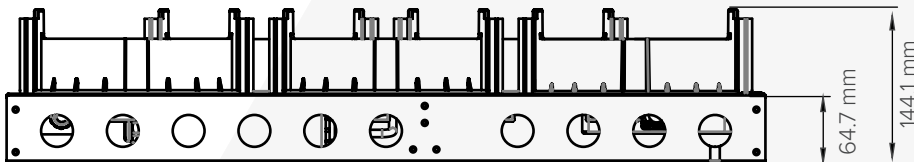
SPECIFICATIONS

Order Code	AST-QUKPN-CHRPLT
Input Voltage	100 - 240 VAC, - 50/60 Hz, 115 VAC - 9 A, 230 VAC - 5 A
Output	8 x 25.5 VDC, 3.45 A
Connectors	PowerCON TRUE1 IN / OUT / 7 Pin for PrepBox Cable
Weight	10.54 kg / 23.24 lbs
Dimensions (L x W x D)	715mm x 558mm x 151mm / 28.15" x 21.97" x 5.94"

All specifications provided are typical values and maybe subject to change without prior notice.

DRAWING

Side view



Top view

